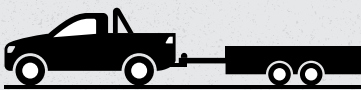


PART: 98345

**ELECTRO
BRAKE™
2500**



FOR LIGHT COMMERCIAL TANDEM AXLE TRAILERS UP TO 2.5T GVM THAT REQUIRE A COST-EFFECTIVE BRAKING SOLUTION.



Perfect for:

Perfect for tandem trailers that require a cost effective braking solution.

Features:

- › Heavy-duty galvanised coupling with 3500kg capacity
- › Heavy-duty bearings capable of 1750kg per axle
- › Dacromet finish on hubs for high corrosion protection
- › Higher rated parts for a healthy safety margin
- › Sealed controller unit
- › Easy four wire connection for controller
- › 10" Brake drums

Kit contents:

- › 2 x Hubset 1750kg 5x4.5" PCD Braked Electric Drum
- › 2 x Stub Axle 1750kg 275x39mm
- › 1 x Hub Set 1750kg 5x4.5" PCD Cast Steel 39mm dia Axle
- › 1 x Coupling 1 7/8" 3500kg incl Handbrake
- › 1 x Trailer Mounted Electric Brake Controller
- › 1 x Handbrake Wire 15m w/ Pulley & Clamps

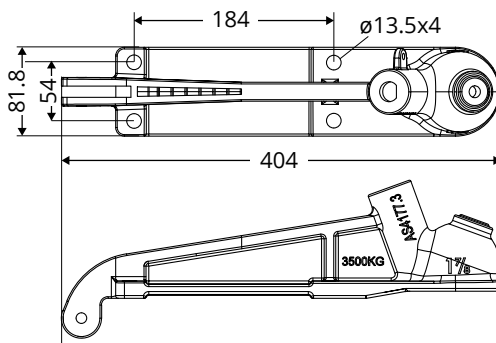
GET IN TOUCH

0800 653 246
treadway.co.nz

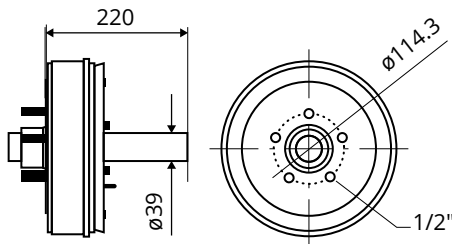
Dimensions, Specifications and Kit contents

PART: 98345

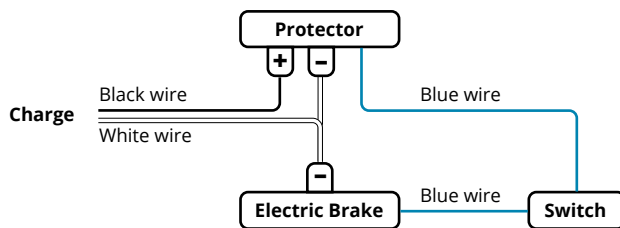
COUPLING



HUBS



WIRING DIAGRAM



Kit contents:

- › 2 x Hubset 1750kg 5x4.5" PCD Braked Electric Drum
- › 2 x Stub Axle 1750kg 275x39mm
- › 1 x Hub Set 1750kg 5x4.5" PCD Cast Steel 39mm dia. Axle
- › 1 x Coupling 1 7/8" 3500kg incl Handbrake
- › 1 x Trailer Mounted Electric Brake Controller
- › 1 x Handbrake Wire 15m w/ Pulley & Clamps



Axle fabrication service available.

Contact us to discuss your requirements.

Specifications:

Load capacity	2500kg
Hub PCD	5x4.5", 114.3mm
Stub diameter	39mm
Inner bearing:	L68149
Outer bearing:	LM12749
Drum brake shoe	10"
Coupling fit	1 7/8"
Brake cable length:	15m
Part	98345



100% NZ FAMILY OWNED AND OPERATED

We've been in business for over 40 years. In that time we have come to supply some of NZ's major trailer and farm equipment manufactures with Trailer Kits & Parts, Wheels, Rims and Tyres.

GET IN TOUCH

0800 653 246
treadway.co.nz